

CARTONI

PROFESSIONAL CAMERA SUPPORT

FOCUS 22 ✓

USER'S MANUAL & Maintenance





CERTIFICATO N. 19714/09/S
CERTIFICATE No.

SI CERTIFICA CHE IL SISTEMA DI GESTIONE PER LA QUALITÀ DI
 IT IS HEREBY CERTIFIED THAT THE QUALITY MANAGEMENT SYSTEM OF

CARTONI S.P.A.

VIA DI PORTONACCIO, 33/B 00159 ROMA (RM) ITALIA

NELLE SEGUENTI UNITÀ OPERATIVE / IN THE FOLLOWING OPERATIONAL UNITS

VIA DI PORTONACCIO, 33/B 00159 ROMA (RM) ITALIA

È CONFORME ALLA NORMA / IS IN COMPLIANCE WITH THE STANDARD
ISO 9001:2015

PER I SEGUENTI CAMPI DI ATTIVITÀ / FOR THE FOLLOWING FIELD(S) OF ACTIVITIES

PROGETTAZIONE, FABBRICAZIONE ED ASSISTENZA POST-VENDITA DI PRODOTTI PER LA CINEMATOGRAFIA E
 LA TELEVISIONE PROFESSIONALE. COMMERCIALIZZAZIONE DI PRODOTTI ED ACCESSORI IN CONCESSIONE
 PER LA CINEMATOGRAFIA E LA TELEVISIONE PROFESSIONALE

DESIGN, MANUFACTURE AND POST-SALE ASSISTANCE OF PROFESSIONAL BROADCAST AND FILM EQUIPMENT.
 MARKETING OF PROFESSIONAL BROADCAST AND FILM ACCESSORIES AND PRODUCTS AS LOCAL
 AGENCY REPRESENTATIVE

La validità del presente certificato è subordinata a sorveglianza periodica annuale / semestrale ed al riesame completo del sistema di gestione con periodicità triennale

The validity of this certificate is dependent on an annual / six monthly audit and on a complete review, every three years, of the management system

L'uso e la validità del presente certificato sono soggetti al rispetto del documento RINA: Regolamento per la Certificazione di Sistemi di Gestione per la Qualità

The use and validity of this certificate are subject to compliance with the RINA document: Rules for the certification of Quality Management Systems

Prima emissione First Issue	12.06.2009	Data decisione di rinnovo Renewal decision date	24.05.2018
Data scadenza Expiry Date	02.06.2021	Data revisione Revision date	24.05.2018

Amlicare Rini
 Rome Management System
 Certification, Head

RINA Services S.p.A.
 Via Corsica 12 - 16128 Genova Italy



SGQ N° 002 A

Members degli Accordi di Mutua
 Riconoscimento DA, IAF e ILAC
 Signatories of DA, IAF and ILAC
 Mutual Recognition Agreements



IONet, the association of the world's first class
 certification bodies, is the largest provider of management
 System Certifications in the world.
 After a comprised of more than 30 bodies and visitors
 over 150 subsidiaries all over the globe.

Per informazioni sulla validità
 del certificato, visitare il sito
www.rina.org

For information concerning
 validity of the certificate, you
 can visit the site
www.rina.org

Per i requisiti della norma non
 applicabili al campo di applicazione
 del sistema di gestione
 dell'organizzazione, riferirsi alle
 informazioni documentate relative.

Reference is to be made to the
 relevant documented information
 for the requirements of the
 standard that cannot be applied to
 the Organization's management
 system scope

IAF-17
 IAF-29



www.cisq.com

CISQ è la Federazione Italiana di Organismi di
 Certificazione dei sistemi di gestione aziendale
 CISQ is the Italian Federation of
 management system Certification Bodies

1.	SAFETY & SET-UP INTRODUCTION	5
2.	OPERATING ELEMENTS	6
3.	PROCEDURES	8
4.	SPECIFICATIONS	9
5.	MAINTENANCE	10
6.	WARRANTY	10
7.	ACCESSORIES & PRODUCT LINE	11



1. SAFETY & SET-UP INTRODUCTION

The **FOCUS 22** Fluid Head is specifically designed to support the wide variety of new ENG cameras, so compact yet so fully accessorized, featuring the patented **CARTONI** “wing” continuously adjustable counterbalance. With its broad range of payloads – 3 kg (6.6 lbs) to 22 kg (49.0 lbs) - The **FOCUS 22** is the ideal partner for all news gathering and outdoor shooting jobs.

Rugged but easy to operate the Fluid Head has all the ergonomic settings at the right place. Fluid drag in both pan and tilt feature the distinctive renowned **CARTONI** patented infinitely adjustable labyrinth system.

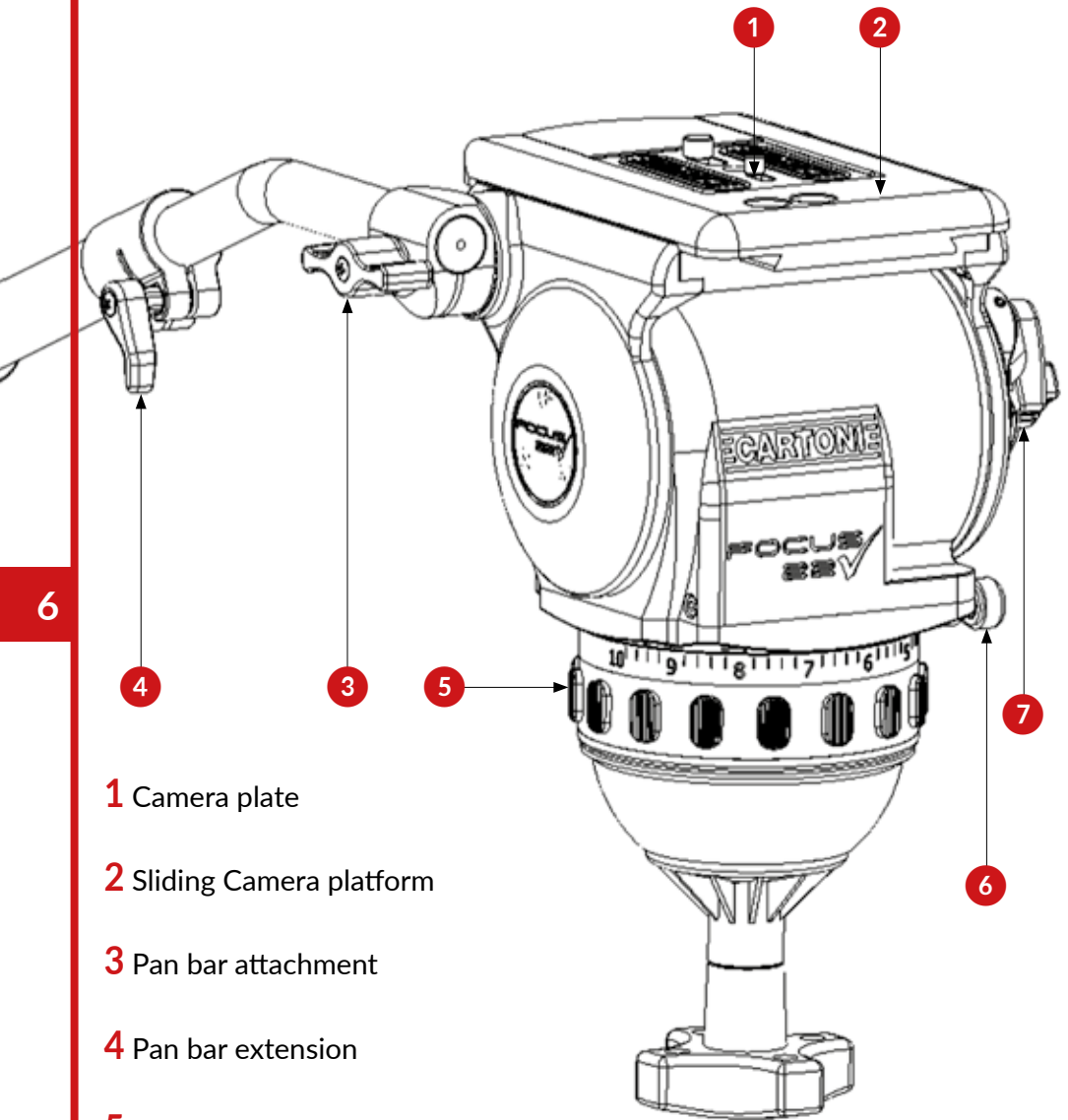
Positive locks, wide range sliding platform incorporating the European style quick release plate, a switchable illuminated spirit level completes the operating specs.

FOCUS 22, weighs only 3,9 kg (8.6 lbs) thanks to the extensive use of extremely lightweight magnesium alloys.

The **FOCUS 22** interfaces with all 100 mm bowl base tripods. In the **FOCUS 22/150 version**, it interfaces with the all 150 mm bowl base Tripods and with Pedestals through the standard Vinten 4 bolts.

- ✓ Before using the product read this user manual.
- ✓ Before installing the Fluid Head on the Tripod check the Tripod stability.
- ✓ Verify that the Camera payload (including lenses and accessories) is lower than the maximum capacity of the Fluid Head.
- ✓ Before installing the Camera make sure that the Fluid Head is in good conditions and bares no evident damages.

2. OPERATING ELEMENTS



1 Camera plate

2 Sliding Camera platform

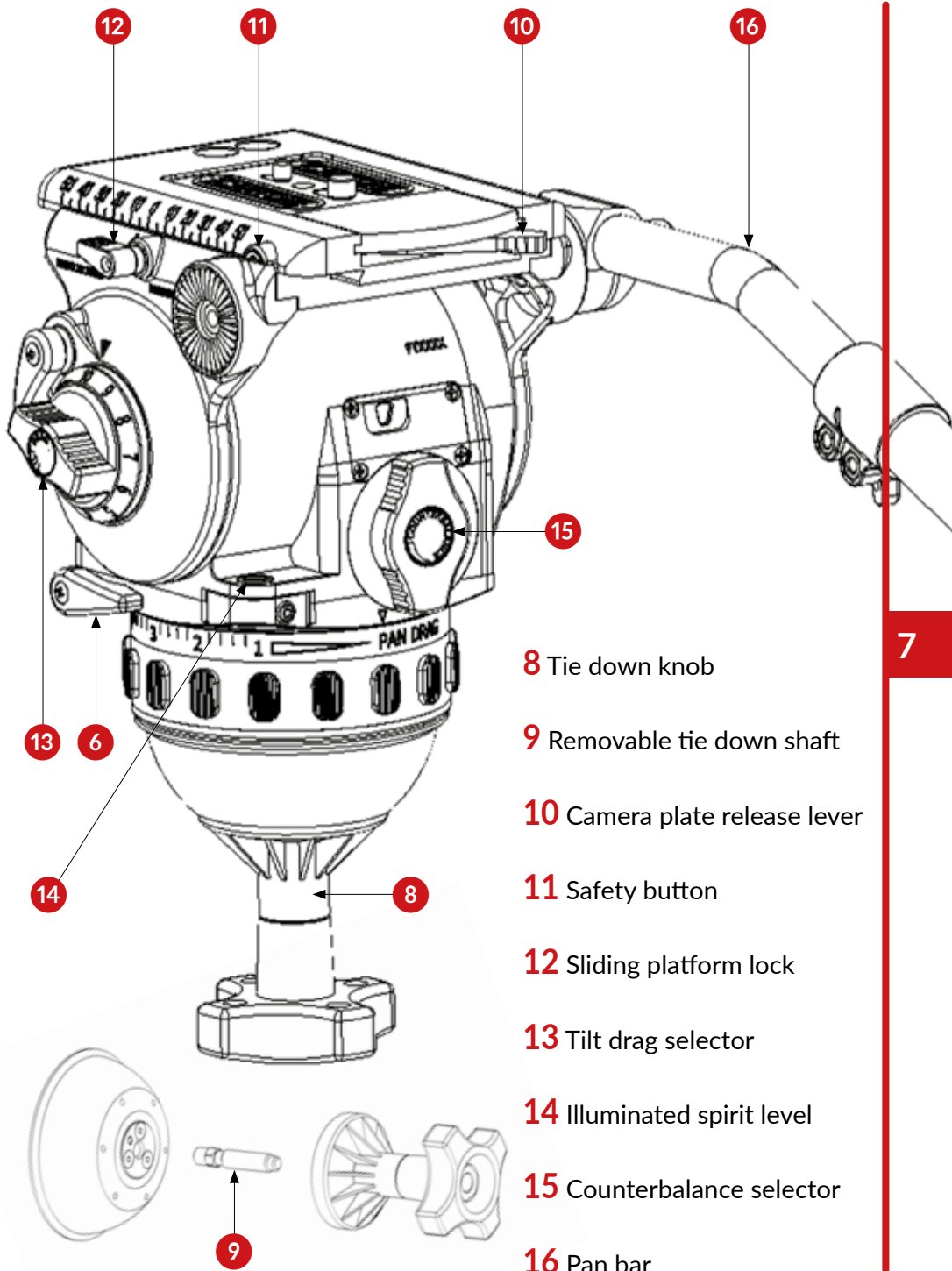
3 Pan bar attachment

4 Pan bar extension

5 Pan drag selector

6 Pan brake lever

7 Tilt brake lever



- 8** Tie down knob
- 9** Removable tie down shaft
- 10** Camera plate release lever
- 11** Safety button
- 12** Sliding platform lock
- 13** Tilt drag selector
- 14** Illuminated spirit level
- 15** Counterbalance selector
- 16** Pan bar

3. PROCEDURES

- ✓ Place the **FOCUS 22** on your Tripod by loosening the tie-down knob (8) under the Fluid Head and level using the illuminated spirit level (14). In low light conditions, press button for light.
- ✓ Connect the Pan bar (16) to the Fluid Head tightening the lever (3) on the Pan bar attachment and select your desired operating angle. The telescopic Pan bar length can be adjusted via lever (4).
- ✓ Lock both Pan and Tilt brakes (6 & 7), turn both Tilt drag selector (13) and Counterbalance knob (15) to the minimum.
- ✓ Open the Camera plate release lever (10) completely to release the Camera plate (1).
- ✓ Remove the Camera plate (1) from the sliding Camera platform (2) by squeezing simultaneously Camera plate release lever (10) and the safety button (11). Attach the Camera plate (1) to the bottom of the Camera and tighten the clamping screw to secure the Camera. Try to center the Camera plate on the Camera, keeping the center of gravity (CG) position in mind.
- ✓ Lock the sliding platform lever (12), click the Camera into the quick release sliding platform (2), the plate will lock into place.
- ✓ Hold the Camera in horizontal position with the Pan bar (16) and release the Tilt brake lever (7). Release the sliding platform lever (12) and find the correct center of gravity (CG) position, by sliding the Camera platform (2) back and forth until you have achieved the correct balance. Lock the sliding platform lock (12).

- ✓ Set the Counterbalance system by turning the balance knob clockwise (15) to appropriate tension. The Camera has to stay at any tilt angle. Eventually fine-tune by adjusting the sliding plate.
- ✓ Unlock the Pan brake lever (6) and set the Fluid drag control by adjusting selectors (5 & 13).
- ✓ The **FOCUS 22** can be attached to most of the sliders via a 3/8" treaded hole under the Head. Remove the tie down shaft (9) with a M10 key and find the hole underneath.
- ✓ When the illuminated spirit level light fails it is time to replace the batteries (14). Pull out the battery tray.

4. SPECIFICATIONS

Minimum payload	3 Kg	6.6 lbs
Maximum payload	22 Kg	49 lbs
Weight Focus 22	3,9 Kg	8.6 lbs
Weight Focus 22/150	4,9 Kg	10.8 lbs
Camera Attachment	Euro-Style quick release	
Bowl diameter	100 mm/150/Flat	
Fluid Drag	Continuous	
Counterbalance	Continuous	
Pan range	360°	
Tilt range	+-90°	
Temperature range	-40 /+60 °C	-40 /+140 °F

5. MAINTENANCE

With indoor use - when needed - just clean the **FOCUS 22** and Tripod with a soft cloth. Dirt accumulated during storage may be removed using a brush or Air spray.

CARTONI products main mechanisms are sealed as they are also built for professional outdoor use.

However, use under rough conditions will require special care. Salt water is very corrosive and can cause extreme damages. In attempt to avoid further damage the Fluid Head should be washed off with fresh water at the earliest opportunity and dried before storage.

Sand and dirt are abrasive and should be removed using a semi-stiff brush or Air spray.

Disconnect the illuminated spirit level battery during long term storage.

6. WARRANTY

All **CARTONI** Fluid Heads & Pedestals have a free of charge three (3) year warranty. Register your product at www.cartoni.com within 30 days from date of first purchase/invoice to receive further two (2) year warranty for the unsurpassed free five (5) year warranty.

Tripods, spreaders, dollies and all accessories are guaranteed one (1) year from the date of first purchase/invoice.

CARTONI warrant that the product supplied will - under proper use - be free from defects in workmanship and materials and agrees that it will, at its option, either repair or replace any defective part within duration of warranty from date of first purchase with no labour charge.

This warranty does not apply to any **CARTONI** product that has been damaged in shipping or handling, abused, misused, operated contrary to instructions for use, neglected, normal wear or tear, modified or changed in design or construction or serviced by unauthorized parties.

Repairs or misuse by any unauthorized parties will void this warranty.

Warranty claims must be submitted – in writing - to the factory for verification or to an authorized distributor/dealer designated by **CARTONI**.

It is the end user's responsibility when ordering to ensure that the products ordered conform to his requirements.

All freight of product to **CARTONI** must be prepaid. All implied warranties are limited to the time period set forth herein & subject to change without notice.

No liability can be accepted for any variation.

7. ACCESSORIES & PRODUCT LINE

For the complete Accessories list & Product line please visit **CARTONI**'s official website **www.cartoni.com**.

Every product has an updated list of compatible items sorted by groups, with descriptions and technical data.



CARTONI
PROFESSIONAL CAMERA SUPPORT

CARTONI S.p.A
Via di Portonaccio, 33/B - 00159 Rome (Italy)
Phone +39 06 4382002
Fax +39 06 43588293
Email: cartoni@cartoni.com
www.cartoni.com